

# BUMPER-C

## WHAT IS AT STAKE

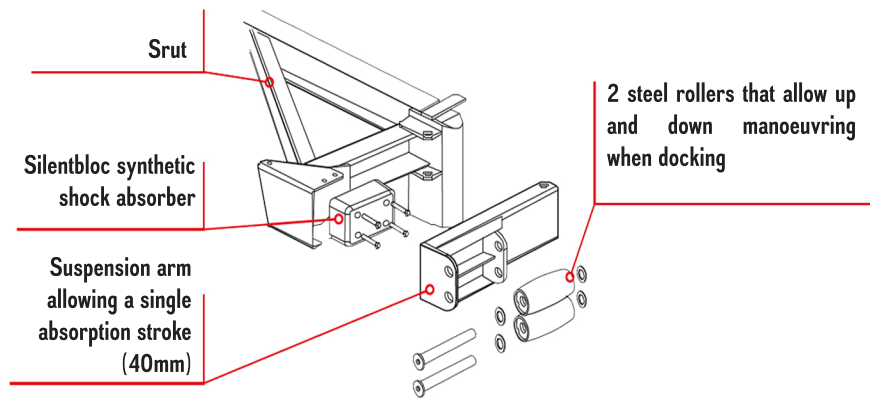
The bodies of refrigerated vehicles are particularly stressed during docking. It is therefore necessary to protect them to avoid repair costs and downtime that disrupt operating schedules.

## THE CHEREAU SOLUTION

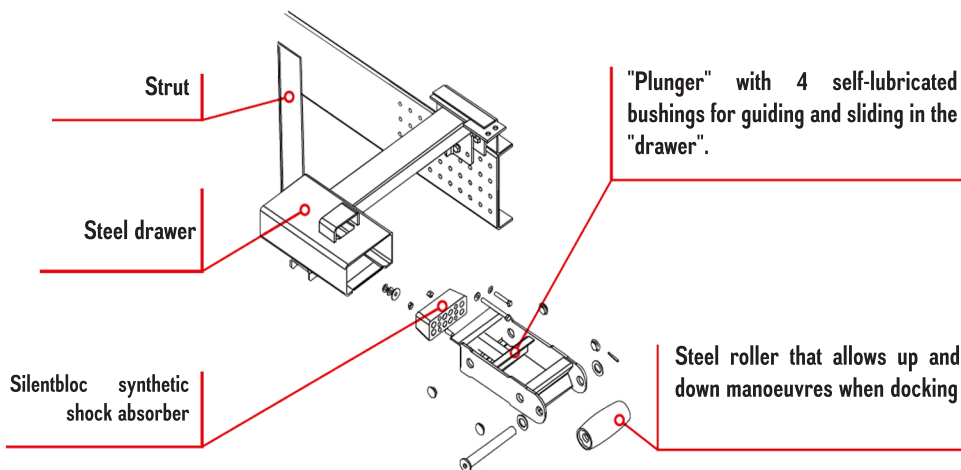
Bumper-C is a patented CHEREAU innovation. It benefits from a design that absorbs the energy of the shock when the boat is docked. It allows the vehicle to be raised and lowered when the bodywork is resting on the platform, without any risk of tearing or deformation. The ovoid shape of the rollers, placed on each side of the chassis, compensates for the angle of the vehicle when the platform is at an angle. Bumper-C is powerful, robust, efficient and limits damage to the bodywork.



## BUMPER-C SEMI-TRAILER



## BUMPER-C TRUCK



### + PERFORMANCE

Preserves the rear of the vehicle in time

Preserves the loading docks

Reduces maintenance costs and vehicle downtime

The reference in terms of rear protection for more than 15 years.